



Solar DC SPD

In an electrical systems, Solar DC SPDs are usually installed in tap-off configuration (in parallel) between the live conductors and the earth. The operating principle of Solar DC SPD can be similar to that of a circuit breaker.

In normal use (no overvoltage): the Solar DC SPD is similar to an open circuit breaker.

When there is an overvoltage: the Solar DC SPD becomes active and discharges the lightning current to earth. It can be likened to the closing of a circuit breaker which would short-circuit the electrical network with the earth via the equipotential earthing system and the exposed conductive parts for a very brief instant, limited to the duration of the overvoltage.

For the user, the operation of the Solar DC SPD is totally transparent as it only lasts a tiny fraction of a second.

Factory Directly Supply Quality DC SPD in Solar made in China

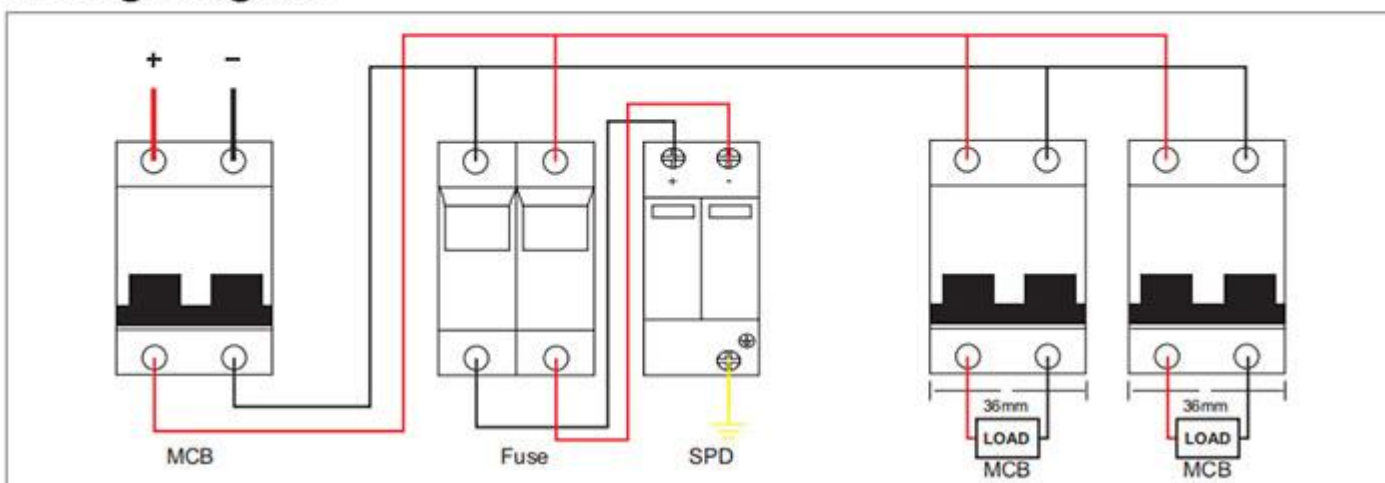
1.DC SPD in Solar Product Details of Quality DC SPD in Solar made in China:

DC SPD in Solar Series	YL5-C40-PV		
UCPV (V DC)	1000V	1200V	1500V
Max System Discharge Current (8/20 μ s) [Imax]	40kA	40kA	40kA
Voltage Protection Level [UP]	≤ 3.8 kV	≤ 4.5 kV	≤ 4.5 kV
Voltage Protection Level at 5kA [UP]	≤ 3.2 kV	≤ 4.0 kV	≤ 5.0 kV
Integrated Fuse Breaking Capacity/Interrupting Rating	40kA/1000Vdc	40kA/1200Vdc	40kA/1500Vdc
Technology	Short-Circuit Interruption (SCI) Overcurrent Protection		
Operating Temperature Range [TU]	-40°C to +80°C		
Nominal Discharge Current (8/20 μ s) [(DC+/DC-) --> PE] [n]	20kA		
Response Time [tA]	<25ns		
Operating State/Fault Indication	Green (good)/Red (replace)		
Conductor Ratings and Cross-Sectional Area	Min	60/75°C 1.5mm ² /14AWG Solid/Flexible	
	Max	60/75°C 35mm ² /2AWG Stranded/25mm ² /4AWG	

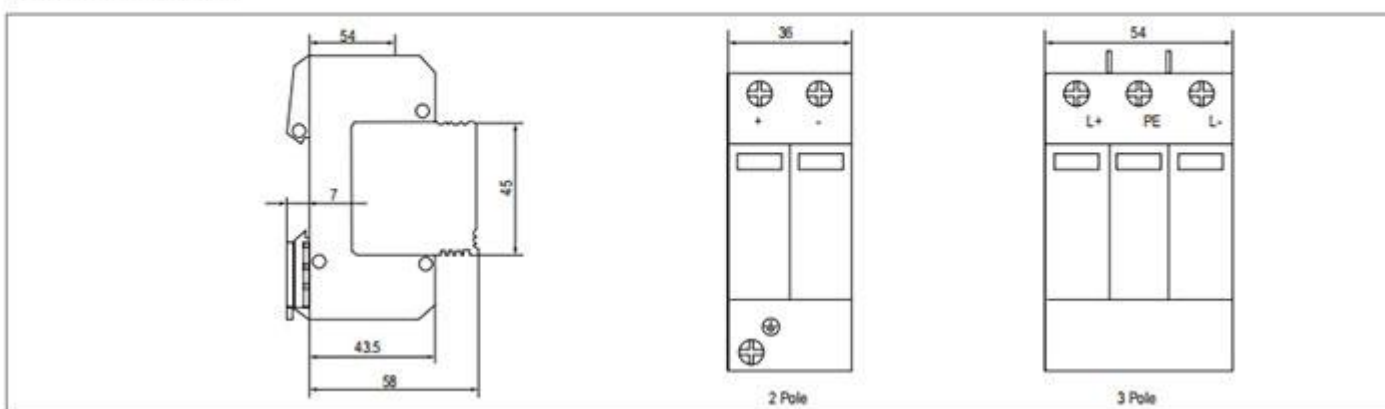
	Flexible
Mounting	35mm DIN Rail per EN 60715
Enclosure Material	UL 94V0 Thermoplastic
Degree of Protection	IP20
Capacity	3 Modules, DIN 43880
Standards Information	IEC 61643-31 Type 2, IEC 61643-1 Class II
Product Warranty	Five Years**

Type2 Solar DC Surge Protective Device (DC SPD)

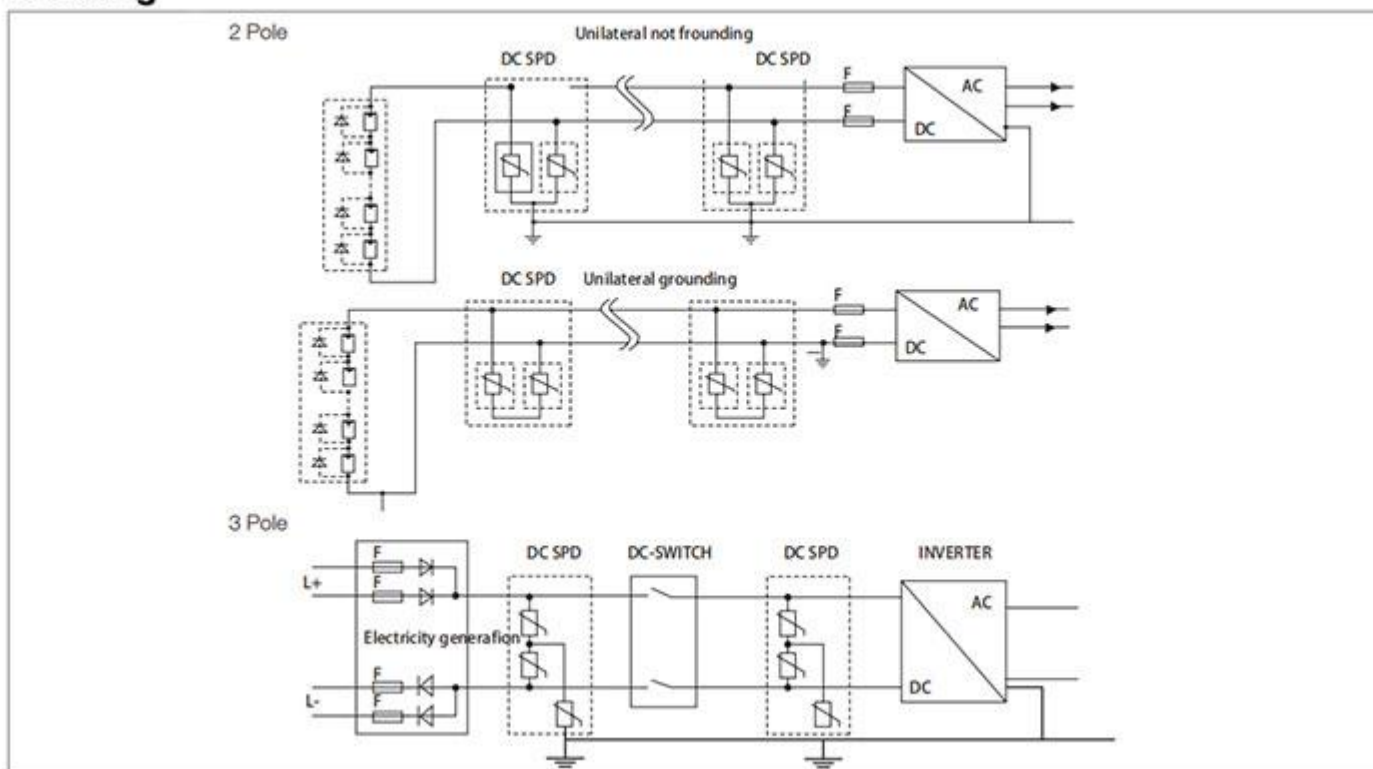
Wiring Diagram



Dimension



Drawing



2.FAQ of Quality DC SPD in Solar made in China

Q:When I can receive quotation and detail information after send the enquiry?

A: Reply will be sent in 24hours.

Q:What's the difference between you and other suppliers?

A: We have our own design box with PC/ABS material.

Q: Do you provide samples ? is it free or extra ?

A: Yes, we could offer the sample for free charge but do not pay the cost of freight.

Q:Can I get a sample for test before place order?

A:Of course!

Q:How's the delivery?Because I really need them is urgently?

A: Samples cost 2-3 days. Bulk order cost 12-15 days.

Q: If i want to release order, what's the payment method you accept ?

A: We accept T/T, Western union, Trade Assurance.

GHX[®]

www.ylongelec.com

Tel:+86-13858881592

Email:ceo@ylongelec.com